

PARTS CATALOG

Color Network Multi-PDL Printer Kit-B1

Canon

Nov 13 2003

PREFACE

This Parts Catalog contains listings of parts used

Diagrams are provided with the listings to aid the service technician in identifying clearly, the item to be ordered.

Whenever ordering parts, consult this Parts Catalog for all of the information pertaining to each item. Be sure to include, in the Parts Request, the full item description, the item part number, and the quantity.

COPYRIGHT (C) 1999 CANON INC.

Use of this manual should be strictly supervised to avoid disclosure of confidential information.

Contents

Parts List Index

Color Network Multi-PDL Printer Kit-B1 1-1

Color Network Multi-PDL Printer Kit-B1

G96 UFR BOARD PCB ASSEMBLY (120/220/240V)2-1

NUMERICAL INDEX

Color Network Multi-PDL Printer Kit-B1

PARTS NUMBER	FIGURE & KEY NO.	PARTS NUMBER	FIGURE & KEY NO.	PARTS NUMBER	FIGURE & KEY NO.
FG3-3223-000	G96 - 1				
FH5-3480-000	G96 - 2				
FH5-3481-000	G96 - 3				
FH5-3483-000	G96 - 2				
FH5-3484-000	G96 - 2				
NPN	G96 -				
XB6-7300-607	G96 - 501				

Color Network Multi-PDL Printer Kit-B1

120/220/240V F62-0114-000

Contents

G96 UFR BOARD PCB ASSEMBLY (120/220/240V)	2-1
---	-----

FIGURE G96

UFR BOARD PCB ASSEMBLY (120/220/240V)

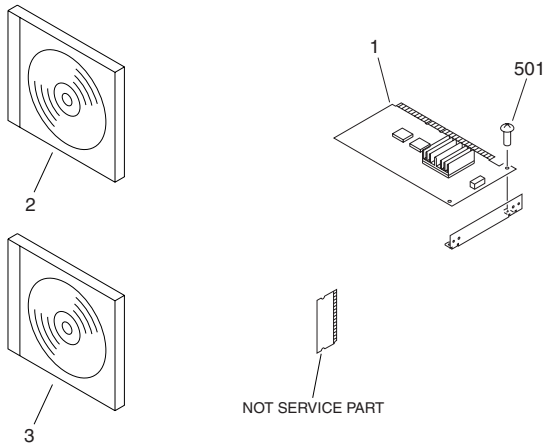


FIGURE & KEY NO.	PARTS NUMBER	R A N K	Q'TY	DESCRIPTION	SERIAL NUMBER/ REMARKS	S V C
Fig.G96	NPN		RF	UFR BOARD PCB ASSEMBLY	120/220/240V	
1	FG3-3223-000		1	UFR BOARD PCB ASSEMBLY		
2	FH5-3480-000		1	CD-ROM, UFR/PS/PCL SOFTWARE	ENGLISH	
2	FH5-3483-000		1	CD-ROM, UFR/PS/PCL SOFTWARE	FRENCH/SPANISH	
2	FH5-3484-000		1	CD-ROM, UFR/PS/PCL SOFTWARE	GERMAN/ITALIAN	
3	FH5-3481-000		1	CD-ROM,COLOR NETWORK SCAN GEAR		
501	XB6-7300-607		AR	SCREW,TP,M3X6		

Prepared by
OFFICE IMAGING PRODUCTS QUALITY ASSURANCE CENTER
CANON INC.

Canon